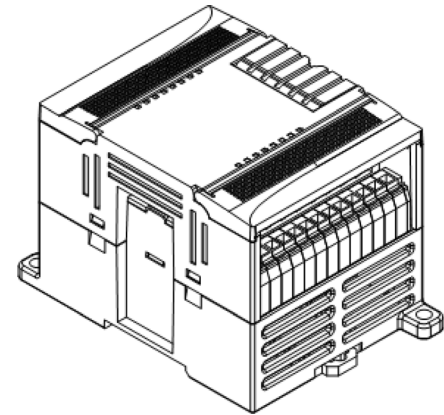


# KNC-PLC-K623 - Expansion Modules



FEATURES

- **4 Inputs and 4 Outputs or 8 Inputs and 8 Outputs**
- **Inputs Can be Configured to Sink or Source**
- **Transistor or Relay Outputs**
- **Inputs are Opto-Isolated**
- **Transistor Outputs are Opto-Isolated**
- **LED Display to Monitor Running Conditions**
- **Easy Maintenance and Installation**



DESCRIPTION

The KNC-PLC-K623 Discrete Input and Output Expansion Modules are offered in Transistor or Relay outputs, and sinking or sourcing inputs. These units come with 4 inputs and 4 outputs, or 8 inputs and 8 outputs. These units are ideal to expand beyond the onboard inputs and outputs of KNC-PLC-K6 CPUs, which can handle up to 264 I/O points with a maximum of 14 expansion modules. The inputs are rated for 3.5 mA and can be configured for either sourcing or sinking. The transistor outputs are rated for 500 mA @ 24 VDC and come only in a sourcing configuration. The relay outputs are rated for 2 A @ 30 VDC or 250 VAC, and are great for switching on and off high load devices AC or DC devices, particularly AC or DC motors. The transistor output modules are opto-isolated for unit protection.

SPECIFICATIONS

Model #	Input Points	Input Type	Output Points	Output Type	Input Voltage	Input Current	Output Voltage	Output Current
KNC-PLC-K623-16DR	8	Sinking or Sourcing	8	Relay	Max 24 VDC	3.5 mA	Max 30 VDC or 250 VAC	Max 2 A
KNC-PLC-K623-08DR	4	Sinking or Sourcing	4	Relay	Max 24 VDC	3.5 mA	Max 30 VDC or 250 VAC	Max 2 A
KNC-PLC-K623-16DT	8	Sinking or Sourcing	8	Transistor	Max 24 VDC	3.5 mA	Max 24 VDC	Max 500 mA
KNC-PLC-K623-08DT	4	Sinking or Sourcing	4	Transistor	Max 24 VDC	3.5 mA	Max 24 VDC	Max 500 mA

L011975

Discrete Input Parameters	
Input Type	Sourcing or Sinking
Input Voltage	Rated: 24 VDC; Max 30 VDC
Rated Input Current	24 VDC @ 3.5 mA
Minimum Input Voltage of Logic 1	Normal Input: 11 VDC @ 2.0 mA High-Speed Input: 18 VDC @ 2.5 mA
Minimum Input Voltage of Logic 0	5 VDC @ 0.7 mA
Input Delay: • Off-to-On • On-to-Off	Normal Input: 12 µs; High-Speed Input 8 µs Normal Input: 40 µs; High-Speed Input 12 µs
Isolation Between Input and Internal Circuit • Mode • Voltage	Opto-Isolated 500 VAC / 1 minute

Discrete Output Parameters (Transistor)	
Output Type	Sourcing
Output Voltage	Rated: 24 VDC Allowable Range: 20.4 - 28.8 VDC
Output Current/Input	Max 500 mA @24 VDC
Parallel Connection of Output Channels	Yes
Protection Function: • Power Supply Polarity Protection • Inductive Load Protection • Short-Circuit Protection • Output Reverse Polarity Protection	Yes Yes Yes Yes, Allow Applying Reverse Polarity Signal at the Output End No More than 10 Seconds.
Isolation Between Input and Internal Circuit • Mode • Voltage	Opto-isolated 500 VAC / 1 minute

Discrete Output Parameters (Relay)	
Maximum Load Voltage	30 VDC or 250 VAC
Maximum Load Current	2 A
Output Delay: • Off-to-On • On-to-Off	Max 10 ms Max 5 ms
Output Isolation • Mode • Between Coil and Contacts • Between Contacts	Relay 2000 Vrms 1000 Vrms
Expected Life of Contacts: • Mechanical Life (no load) • Electrical Life (rated load)	20,000,000 Times (12,000 times / min) 100,000 Times (6 times / min)

L011975

# KNC-PLC-K623 - Expansion Modules

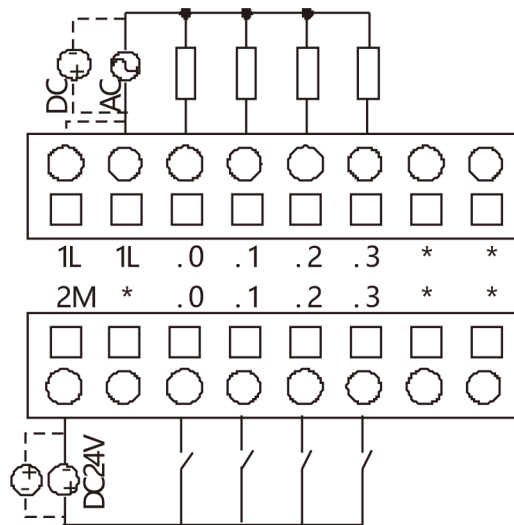


EXPANSION



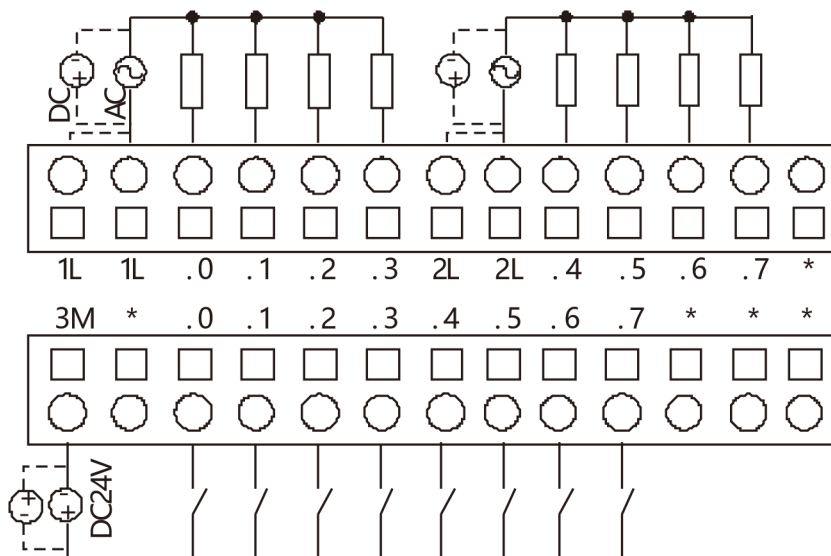
WIRING DIAGRAMS

KNC-PLC-K623-08DR



Real line means source input, Broken line means sink input.

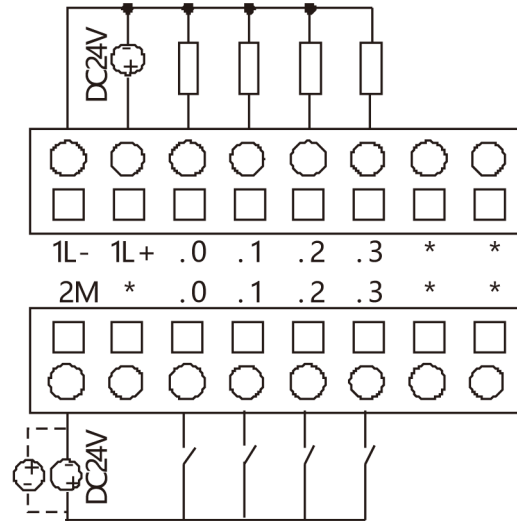
KNC-PLC-K623-16DR



Real line means source input, Broken line means sink input.

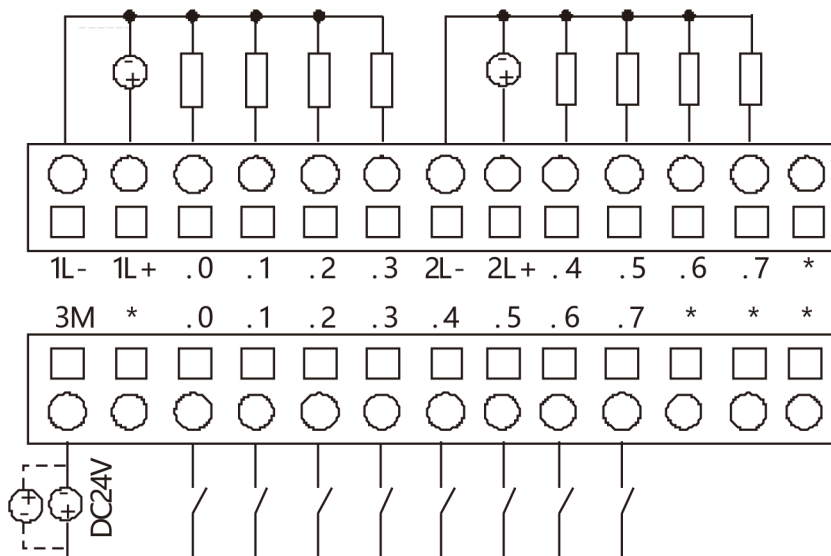
L011975

KNC-PLC-K623-08DT



Real line means source input, Broken line means sink input.

KNC-PLC-K623-16DT



Real line means source input, Broken line means sink input.

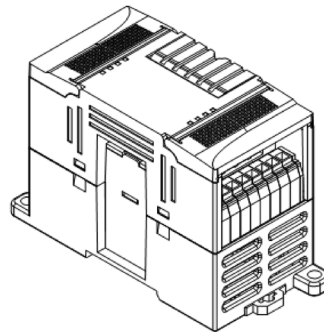
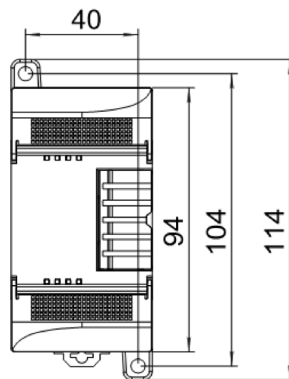
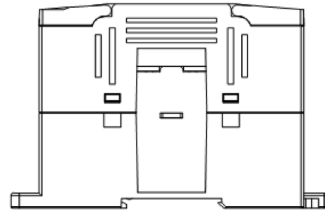
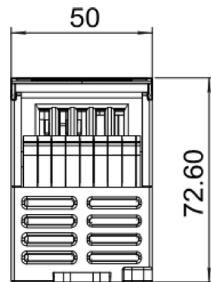
L011975

# KNC-PLC-K623 - Expansion Modules

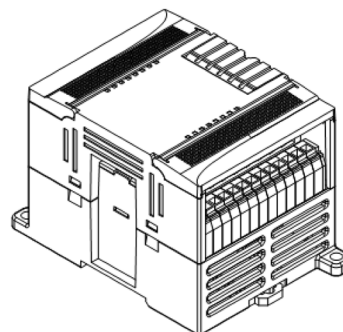
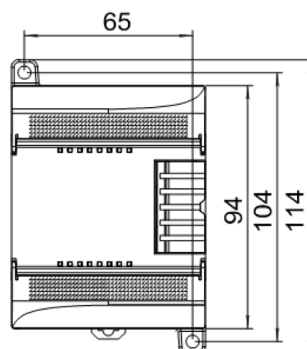
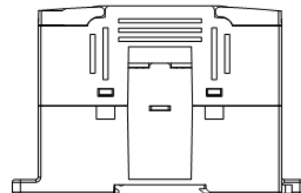
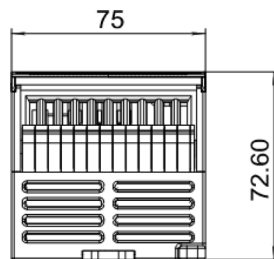


DIMENSIONS

KNC-PLC-K623-08DT & KNC-PLC-K623-08DR



KNC-PLC-K623-16DT & KNC-PLC-K623-16DR



Units are in mm

L011975